

Octa Light Player™

8-channel Light Synthesizer Luminaire*

BLACK OPTION

Product Description

The Octa Light Player is one of several multi-channel, light synthesizers from Telelumen. It offers 8-channel, full-spectrum, dynamic lighting of 2,000 lumens across the entire color temperature range of 1500K to 20000K (fire to blue sky) with high color rendering. In addition to standard white light tuning, Octa spectral light output can cover a majority of the CIE color space and saturate or de-saturate portions of the spectrum while keeping the chromaticity constant. Optional LED channels with peak wavelengths from near UV to deep red allow a very broad variety of SPD to be synthesized. This kind of flexibility is critical for circadian lighting, photography, displays, sensors, plant and animal research, color management including light booths, and many more applications. **This option is recommended for blackout light labs.**



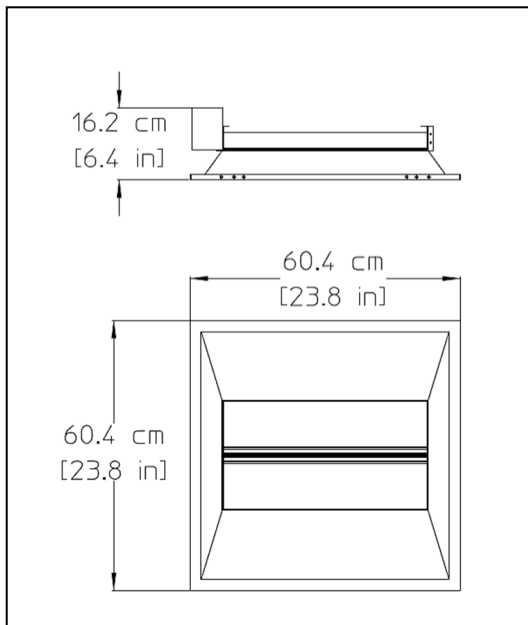
Telelumen Spectral Match Technology

The Octa synthesizer is meant to be driven by Telelumen Spectraloc Software for maximum performance. Reproducing natural sources such as daylight SPD variations over time is easy. Together the hardware and software can generate most SPDs within the visible range to extract the full potential of programmed illumination changing with time. Far from simply defining the source by its CCT or chromaticity, this software allows custom SPD manipulation and illumination matching for playback on a luminaire. Sophisticated match algorithms convert SPDs into LED channel drive vectors without complex input from the user.

Telelumen Lumenscripts

Illumination programs called Lumenscripts can be recorded by a spectrometer, and then edited by a developer, synthesized from scratch, or in combination. A Lumenscript to Octa is what an MP3 audio file is to a music player. The light player synthesizer can update the stored Lumenscripts at 1 kHz if needed. Octas can operate alone or in groups by remote control over Ethernet.

Spectraloc Software Screen Shot (violet option shown)



Specifications

Color channels:	8 (various options from 365nm to 660nm)
CCT range:	1500K - 20000K
Lumen output:	2,500, >90 R _f (TM30)
PWM dimming:	>250:1
PWM frequency:	32 kHz
Data and Control:	Ethernet
Network protocol:	TCP/IP, UDP, DHCP
Input Voltage:	100-240 VAC (277 VAC for NA only) 0.5A max, 50/60Hz
Weight:	5 kg (11 lbs)
Warranty:	1 year
Mounting:	Ceiling, bench, cabinet

* Octa built on CREE CR-22 frame

Made in the USA