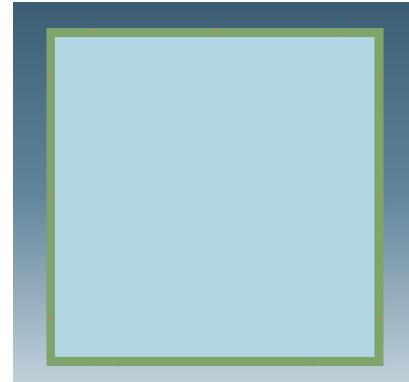


Dittosizer Light Player™

24-channel Light Synthesizer Luminaire

Product Description

The Dittosizer Light Player is the latest multi-channel, light synthesizer from Telelumen. It offers 24-channels of continuous spectrum, from UVA through visible to NIR, dynamic illumination. Capable of 5,000 lumens output across the entire color temperature range of 1500K to 50000K with high color rendering. In addition to standard white light tuning, Dittosizer spectral light output can cover a majority of the CIE color space and saturate or de-saturate portions of the spectrum while keeping the chromaticity constant. With the inclusion of 365nm CIE daylight locus illuminants can be created with the required fluorescence. At the other end of the spectrum long wavelength visible and near-IR allow unprecedented flexibility at high room level illuminance for photography, displays, circadian lighting, sensors, plant and animal research, critical color evaluations, and many more applications.



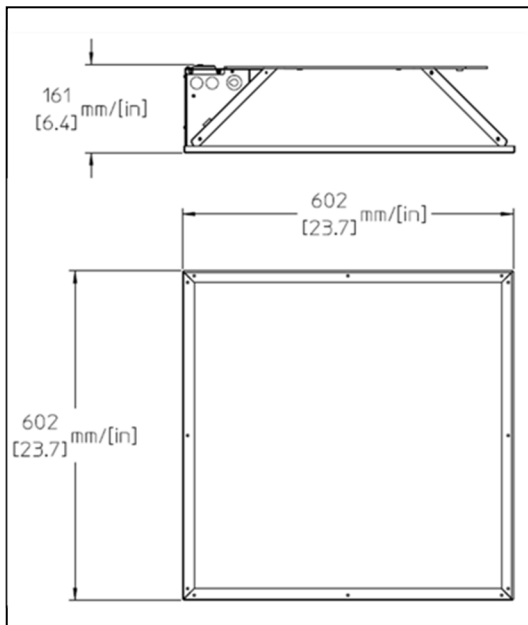
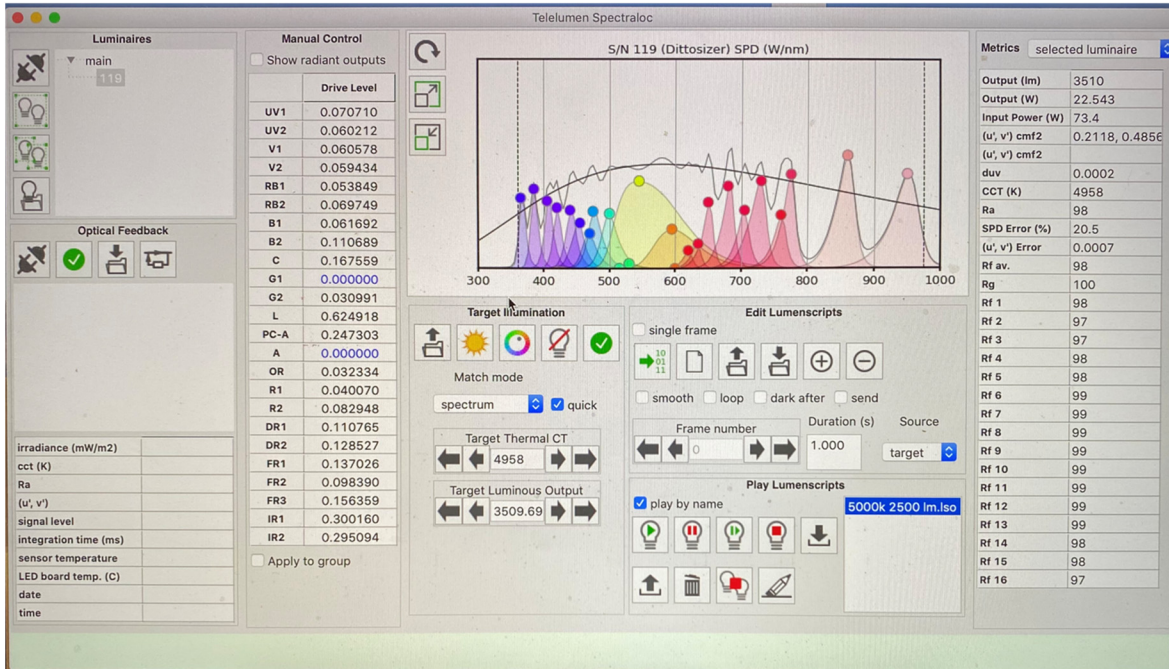
Telelumen Spectral Match Technology

The Dittosizer is controlled by Telelumen Spectraloc software for maximum performance. There is also an optional API available. Reproducing natural sources such as daylight SPD variations over time is easy. Together the software and hardware can generate most SPDs within the visible range and beyond visible to extract the full potential of programmed illumination changing with time. Far from simply defining the source by its CCT or chromaticity, this software allows custom SPD manipulation and illumination matching for playback on the luminaire. Sophisticated match algorithms convert SPDs into LED channel drive vectors without complex input from the user.

Telelumen Lumenscripts

Illumination programs called Lumenscripts can be recorded by a spectrometer, edited by a developer, synthesized from scratch, or in combination. A Lumenscript to Dittosizer is what an MP3 audio file is to a music player. Stored Lumenscripts can update the output at sub-second frame rates if needed. Dittosizers can operate alone or in groups by remote control over Ethernet.

Spectraloc Software Screen Shot



Specifications

Color channels:	24 peak wavelengths from 365nm to 940nm
CCT range:	All
Lumen output:	adjustable to 5,000
PWM dimming:	250:1
PWM frequency:	32 kHz
Data and Control:	Ethernet
Network protocol:	TCP/IP, UDP, DHCP
Input Voltage:	100-240 VAC (277 VAC for NA only) 0.85A max, 50/60Hz
Weight:	8 kg (18 lbs)
Warranty:	1 year
Mounting:	Ceiling, bench, cabinet

Made in the USA